



**FABRICA
CYCLES**

2018 STRADA

FABRICA STRADA

Our FABRICA STRADA is built for the rider who is looking for a fast and stiff machine, but who also wants to be comfortable for long periods on the saddle. We designed a very agile and confidence geometry, in order to have a perfect handling control. All the parts and details on this frame are custom designed and made by us in house. Stainless steel dropouts to prevent rust, front derailleur stainless clamp ,stainless seat clamp brake bridge to prevent the direct contact between components and paint. Our design utilizes a Columbus tubing selection, the oversized head tube gives you more handling and



confidence, fat chain stays are specially made on our design to bring the stiffness where needed, the oval seat stays are oriented to give you the best lateral stiffness without compromising the comfort on the saddle. We use different tubing diameters according to the size and weight of the client.

ALSO AVAILABLE WITH COLUMBUS XCR TUBINGS!



Stainless steel headbadge



Pantographed bb shell

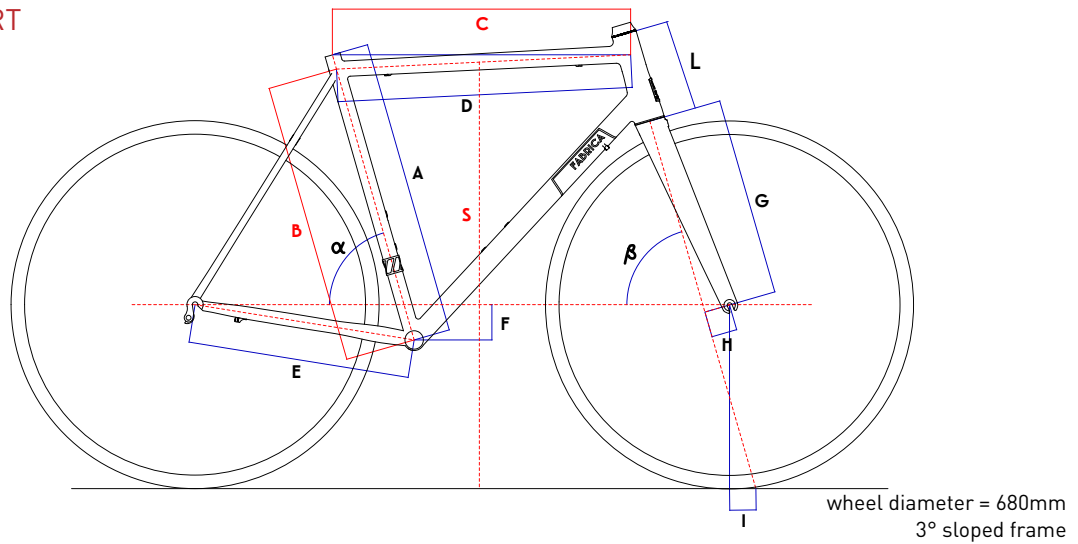


3d lasercut dropouts

FRAME SPECIFICATIONS

Seatopost	27.2	Tyre clearance	700 x 28c
Front Derailleur clamp	31.7	Front spacing	100 QR
Rear Spacing	130 QR	Brake type	Caliper <i>*Disc on Strada Disc Model</i>
Headtube	46mm straight <i>*tapered on request</i>		
Fork	Fabrica Strada 1-1/2 or 1/8		
Bottom bracket	BSA threaded		

GEOMETRY CHART



	A	B	C	D	E	F	G	H	I	L	α	β	S
49	500	472	520	513	410	70	368	45	66	112	74	72	737
51	520	491	530	523	410	70	368	45	66	133	74	72	756
53	540	510	540	532	410	70	368	45	63	149	73.5	72.5	774
55	560	530	550	542	410	70	368	45	57	167	73.5	73	793
57	580	549	570	562	410	70	368	45	54	185	73.5	73.5	811
59	600	568	590	582	410	70	368	45	54	206	73.5	73.5	830

* We also make full custom sizes and geometries. For more info please ask us by email.
This geometry chart is also valid Strada Disc model.

FABRICA PAINT WORKS

Our Official paint scheme is 3 colors based:

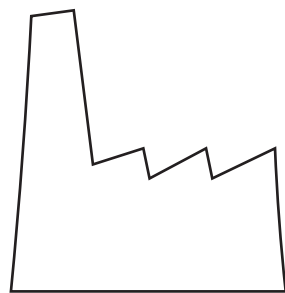
- 1 main color
 - 2 text, logo and edge color.
 - 3 label color + fork sock
- Internal fork color is set as label color.

You can mix it as you want choosing from a color chart and giving us a reference. We can offer matte, metallic, pastel finishings. You can see some frames we made and get inspiration.

We also make full custom graphics, painted stem and seatpost.



Sample image



FABRICA CYCLES

