

**FABRICA
CYCLES**

2018 CROSS

FABRICA CYCLOCROSS

Built with the aim of tackling all sort of conditions of a muddy, cold, wet or dry cyclocross race, our Fabrica Cx frame is a no-limit bike that will find itself at home in every racing condition.

The geometry of this frame allows fast cornering in any ground condition, and will make you sprint right after you've jumped back on your bike after an obstacle. All the parts and details on this frame are custom designed and made by us, including stainless steel parts like dropouts, seat clamp, bottle bosses and rear disc support to prevent rust and oxidation that could occur. The tapered head tube gives you handling and confidence, fat chain stays are specially made on



our design to bring the stiffness where needed, the oval seat stays are oriented to give you the best lateral stiffness without compromising the comfort on the saddle. Our frame utilizes a Columbus tubing selection with different tubing diameter according to the size and weight of the cyclist.

ALSO AVAILABLE WITH COLUMBUS XCR TUBINGS!



Stainless steel headbadge



Post mount disc standard

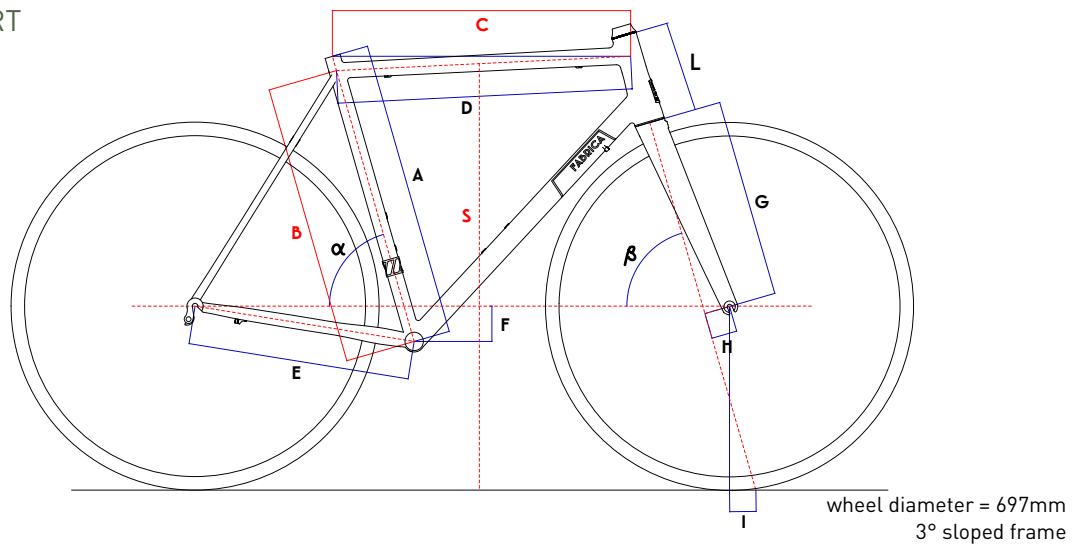


1x11 cable routing

FRAME SPECIFICATIONS

Seatpost	27.2	Tyre clearance	700 x 38
Rear Spacing	135 QR 142 x 12 TA <i>*on request</i>	Disc standard	Post Mount Flat Mount <i>*on request</i>
Headtube	46mm straight Integrated tapered <i>*on request</i>	Front spacing	100 QR 100 x 15TA <i>*on request</i>
Fork	Fabrica Cross 1-1/2		
Bottom bracket	BSA threaded	1x 11 groupset 2x 11 <i>*on request</i>	

GEOMETRY CHART



	A	B	C	D	E	F	G	H	I	L	α	β	S
50	520	492	520	513	420	70	395	50	62	100	74.5	72	769
52	530	501	535	528	420	70	395	50	62	110	74	72	779
54	550	520	550	542	420	70	395	50	57	127	73.5	72.5	796
56	570	539	570	562	420	70	395	50	54	145	73.5	73	815
58	590	558	590	582	420	70	395	50	54	165	73.5	73	834
60	610	577	610	601	420	70	395	50	54	185	73.5	73	852

* We also make full custom sizes and geometries. For more info please ask us by email

FABRICA PAINT WORKS

Our Official paint scheme is 3 colors based:

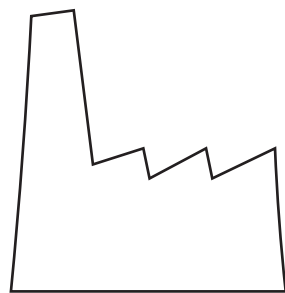
- 1 main color
 - 2 text, logo and edge color.
 - 3 label color + fork sock
- Internal fork color is set as label color.

You can mix it as you want choosing from a color chart and giving us a reference. We can offer matte, metallic, pastel finishings. You can see some frames we made and get inspiration.

We also make full custom graphics, painted stem and seatpost.



Sample image



FABRICA CYCLES

