



**FABRICA
CYCLES**

2018 ALL-ROAD

horizon 47c

FABRICA ALL-ROAD

In recent years the direction has been for custom bike enthusiasts to veer towards a single, do-it-all bicycle. Call it a hybrid, if you will. The custom frame becomes the embodiment of a set of values, necessities and desires that turn it into a unique object that can be used in a series of environments and contexts, as wide as possible. In order to respond to this necessity we have developed an ALL ROAD frame model, which in our vision really means "meant for all types of roads", tarmac or otherwise. This allows the rider with a simple change of wheels or tyres, to take on country roads, single tracks, gravel and dust, all with 2 or three bottle cages. The geometries



are derived from a modern road bike, but with a taller stance to favor comfort on longer and/or more technical rides. The frame allows for any type of tyre between the now-standard 28c/700 road slicks all the way up to 42c on a 700 rim, and is able to accommodate a 45c on 650b wheels. All in all, we are confident to have designed the perfect bike for all your adventures, on and off road.

ALSO AVAILABLE WITH COLUMBUS XCR TUBINGS!



Stainless steel headbadge



Post mount disc standard

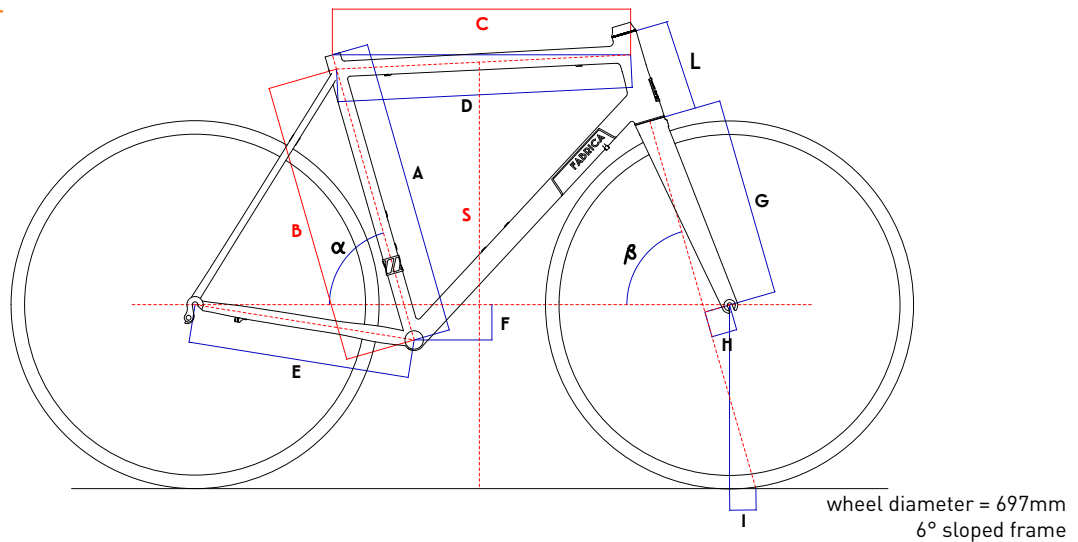


1x11 cable routing

FRAME SPECIFICATIONS

| | | | |
|--------------|---|--|---|
| Seatpost | 27.2 | Tyre clearance | 700 x 42c 650b x 45c |
| Rear Spacing | 142 x 12 TA | Disc standard | Post Mount Flat Mount <i>*on request</i> <u>Fork has flat mount brake</u> |
| Headtube | 46 mm straight Integrated tapered <i>*on request</i> | | |
| Fork | Fabrica Gravel 1-/1-2 | | |
| BB | BSA threaded | 1x 11 groupset 2x 11 <i>*on request</i> | |

GEOMETRY CHART



| | A | B | C | D | E | F | G | H | I | L | α | β | S |
|----|-----|-----|-----|-----|-----|----|-----|----|----|-----|----------|---------|-----|
| 50 | 525 | 469 | 520 | 507 | 420 | 70 | 395 | 50 | 63 | 92 | 73.5 | 72 | 755 |
| 52 | 540 | 483 | 540 | 527 | 420 | 70 | 395 | 50 | 63 | 107 | 73.5 | 72 | 768 |
| 54 | 560 | 500 | 560 | 546 | 420 | 70 | 395 | 50 | 56 | 124 | 73.5 | 73 | 787 |
| 56 | 580 | 518 | 580 | 565 | 420 | 70 | 395 | 50 | 56 | 143 | 73.5 | 73 | 809 |
| 58 | 600 | 536 | 600 | 585 | 420 | 70 | 395 | 50 | 56 | 164 | 73.5 | 73 | 827 |
| 60 | 620 | 554 | 620 | 605 | 420 | 70 | 395 | 50 | 56 | 183 | 73.5 | 73 | 845 |

* We also make full custom sizes and geometries. For more info please ask us by email

FABRICA PAINT WORKS

Our Official paint scheme is 3 colors based:

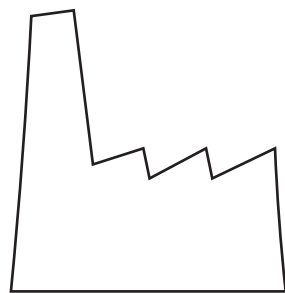
- 1 main color
 - 2 text, logo and edge color.
 - 3 label color + fork sock
- Internal fork color is set as label color.

You can mix it as you want choosing from a color chart and giving us a reference. We can offer matte, metallic, pastel finishings. You can see some frames we made and get inspiration.

We also make full custom graphics, painted stem and seatpost.



Sample image



FABRICA CYCLES

